

# HD-SDI MEGA PIXEL HOOD TRUE DAY/NIGHT CAMERA



\*DC Auto Iris Varifocal Lens(2.8-10mm) / ø5 IR LED Built-in 42pcs

\*4mm Fixed Board Lens / ø5 IR LED Built-in 56pcs

**NEW**



## HD QS1880HTL

1/3" 2.1 Mega pixel CMOS | 1080p@30fps | DC Auto Iris Varifocal Lens(2.8-10mm) | True Day/Night with ICR | 850nm ø5 IR LED\*42pcs

### GENERAL FEATURES

- > 1/3" Progressive Scan Color CMOS Sensor
- > 1920x1080p/@30fps, 1280x720p/@60fps
- > TV out(BNC) with NTSC/PAL selectable
- > WDR(Wide Dynamic Range)
- > High resolution digital zoom (x8)
- > Flicker suppression
- > No noise, ghosting effect with DNR
- > DC Auto Iris Varifocal Lens(6-50mm)-Option
- > True Day/Night with ICR-Option
- > Dual Power(AC 24V / DC 12V)-Option

### SPECIFICATIONS

MODEL	HD-SDI Mega Pixel
Image Sensor	1/3" 2.1Megapixel CMOS
Pixels - total	2010(H) X 1092(V)
Pixels - Effective	1944(H) X 1092(V)
Scanning System	progressive 25/30 fps
High Speed Shutter	1/25 ~ 1/60.000 sec, Auto
Resolution	1080p
Minimum Illumination	0Lux(IR LED ON)
S/N Ratio	50 dB
Sens Up	Off / On (x2~x64)
AGC	1~20 Level adjustment
Day/Night switch	COLOR / BW / AUTO / EXTERN
Image Adjustment	Brightness, sharpness, mirror H/V
White Balance	ATW / AWB / MANUAL / PRESET
Digital Noise Reduction (DNR)	Off / Low / Middle / High
WDR	Off / On(CVBS off)
BLC	Off / BLC / HLC / WDR
HLC	On / Off / Level
Aperture (Sharpness)	1~10 Level adjustment
Number of Privacy Zones	Off / 32 Zones
Motion Detection	On / Off
Video Outputs	2 BNC (1xCVBS,1xHD-SDI)
Digital Zoom	X8
Power	DC 12V
Power Consumption	200mA / IR LED ON:800mA Max
Lens	DC Auto Iris Varifocal Lens(2.8-10mm), 4mm Fixed Board Lens
Operational Temp.	-10 ~ +50 Deg C. RH 95% Max.
Storage Temp.	-20 ~ +60 Deg C. RH 95% Max.
Dimension	90mm(W) * 95mm(H) * 220mm(D)
Weight	1400g

**NEW**

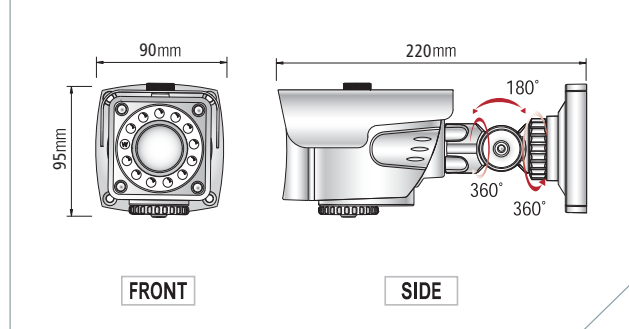


## HD QS1882HL

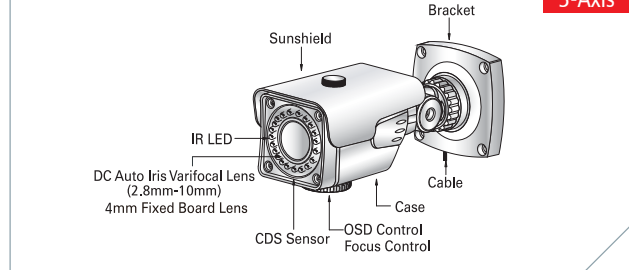
1/3" 2.1 Mega pixel CMOS | 1080p@30fps | 4mm Fixed Board Lens 850nm ø5 IR LED\*56pcs



### DIMENSIONS



### CONNECTION



### OPTIONAL ACCESSORIES

